



- Features :
- 2:1 wide input range
  - Protections: Short circuit/Over load/Over voltage
  - 1500VDC I/O isolation
  - Built-in EMI filter, low ripple noise
  - 100% full load burn-in test
  - Fixed switching frequency at 83KHz
  - Low cost
  - High reliability
  - 1 year warranty

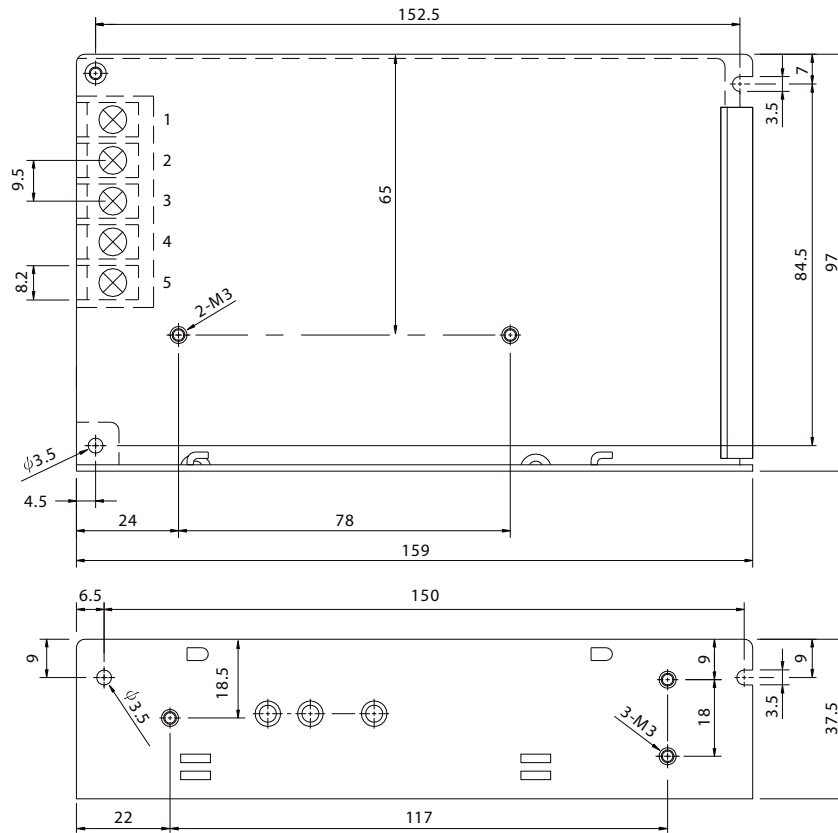


SPECIFICATION

MODEL		SD-50A-5	SD-50B-5	SD-50C-5	SD-50A-12	SD-50B-12	SD-50C-12	SD-50A-24	SD-50B-24	SD-50C-24
OUTPUT	DC VOLTAGE	5V			12V			24V		
	RATED CURRENT	10A			4.2A			2.1A		
	CURRENT RANGE	0 ~ 10A			0 ~ 4.2A			0 ~ 2.1A		
	RATED POWER	50W			50.4W			50.4W		
	RIPPLE & NOISE (max.) Note.2	100mVp-p			120mVp-p			150mVp-p		
	VOLTAGE ADJ. RANGE	4.5 ~ 5.5VDC			11 ~ 16VDC			23 ~ 30VDC		
	VOLTAGE TOLERANCE Note.3	±2.0%			±1.0%			±1.0%		
	LINE REGULATION	±0.5%			±0.3%			±0.2%		
	LOAD REGULATION	±0.5%			±0.3%			±0.2%		
SETUP, RISE, HOLD TIME	2.5s, 50ms, ----- at full load									
INPUT	VOLTAGE RANGE	A:9.2 ~ 18VDC		B:19 ~ 36VDC		C:36 ~ 72VDC				
	EFFICIENCY (Typ.)	70%	73%	76%	72%	75%	78%	74%	80%	83%
	DC CURRENT	7A/12V			3A/24V			1.5A/48V		
PROTECTION	OVER LOAD	105 ~ 150% rated output power Protection type : Fold back current limiting, recovers automatically after fault condition is removed								
	OVER VOLTAGE	5.75 ~ 6.75V/10% load			16.8 ~ 20V/10% load			31.5 ~ 37.5V/10% load		
ENVIRONMENT	WORKING TEMP.	-10 ~ +60°C (Refer to output load derating curve)								
	WORKING HUMIDITY	20 ~ 90% RH non-condensing								
	STORAGE TEMP., HUMIDITY	-20 ~ +85°C, 10 ~ 95% RH								
	TEMP. COEFFICIENT	±0.03%/°C (0 ~ 50°C)								
	VIBRATION	10 ~ 500Hz, 2G 10min./1cycle, 60min. each along X, Y, Z axes								
SAFETY & EMC (Note 4)	SAFETY STANDARDS	Design refer to LVD								
	WITHSTAND VOLTAGE	I/P-O/P:1.5KVAC I/P-FG:1.5KVAC O/P-FG:0.5KVAC								
	ISOLATION RESISTANCE	I/P-O/P, I/P-FG, O/P-FG:100M Ohms/500VDC								
	EMI CONDUCTION & RADIATION	Compliance to EN55022 (CISPR22) Class B								
OTHERS	EMS IMMUNITY	Compliance to EN61000-4-2,3,4,6,8; ENV50204, EN55024, heavy industry level, criteria A								
	MTBF	365.6K hrs min.(SD-50A)		357.5K hrs min.(SD-50B)		368.5K Hrs min.(SD-50C)		MIL-HDBK-217F (25°C)		
	DIMENSION	159*97*38mm (L*W*H)								
	PACKING	0.53Kg; 24pcs/12.7Kg/0.75CUFT								
NOTE	<p>1. All parameters NOT specially mentioned are measured at 12,24,48VDC input, rated load and 25°C of ambient temperature.</p> <p>2. Ripple &amp; noise are measured at 20MHz of bandwidth by using a 12" twisted pair-wire terminated with a 0.1uf &amp; 47uf parallel capacitor.</p> <p>3. Tolerance : includes set up tolerance, line regulation and load regulation.</p> <p>4. The power supply is considered a component which will be installed into a final equipment. The final equipment must be re-confirmed that it still meets EMC directives.</p>									

**Mechanical Specification**

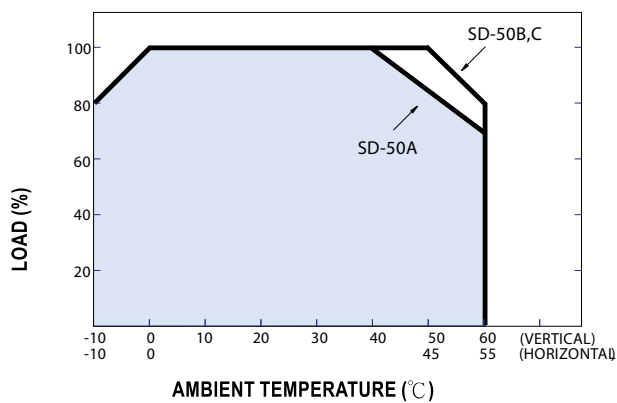
Case No. 901 Unit:mm



Terminal Pin. No Assignment

Pin No.	Assignment	Pin No.	Assignment
1	DC INPUT V+	4	DC OUTPUT -V
2	DC INPUT V-	5	DC OUTPUT +V
3	FG $\perp$		

**Derating Curve**



**Static Characteristics(SD-50C-24V)**

