

IPC-5120/7120

Compact Desktop/Wallmount Chassis with Front I/O Interfaces & Expansion Slots for MicroATX Motherboard

NEW



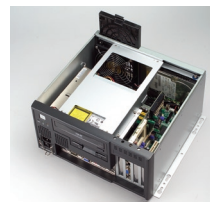
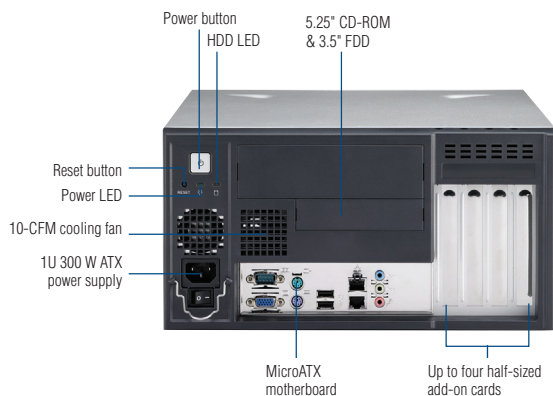
Features

- Streamlined in-chassis airflow design supporting LGA775 Pentium® 4 Processor with suggested CPU cooler
- All I/O interfaces are in the front
- Shock-resistant drive bay to hold one 5.25" and two 3.5" drives (one external & one internal)
- Supports up to four half-sized add-in cards in the front
- LED indicators for power status and HDD activity
- Equipped with 1U-high 300 W ATX/PFC power supply
- Easy-to-replace air filter

Specifications

| | | | | |
|--------------------------|------------------------|--|-------------------------|--|
| Drive Bay | 5.25" | Front-accessible | 1 | Internal |
| | 3.5" | | 1 | 1 |
| Cooling | Fan | 1 (85 CFM) + 1 (10 CFM) | | |
| | Air Filter | 1 (133 x 112 mm) | | |
| Miscellaneous | Control | Power on/off switch and system reset button | | |
| | Indicators | Power status and HDD activity | | |
| Environment | Temperature | Operating | 0 ~ 40° C (32 ~ 104° F) | Non-Operating -20 ~ 60° C (-4 ~ 140° F) |
| | Humidity | 10 ~ 85 % @ 40° C, non-condensing | | |
| | Vibration (5-500 Hz) | 1 Grms | | |
| | Shock | 10 G (with 11 ms duration, half sine wave) | | |
| | Altitude | 0 to 3,048 m (0 ~ 10,000 ft) | | |
| Physical Characteristics | Dimensions (W x H x D) | IPC-5120: 320 x 164 x 316.5 mm (12.6" x 6.5" x 12.5") IPC-7120: 380 x 164 x 316.5 mm (15" x 6.5" x 12.5") | | |
| | Weight | IPC-5120: 8.0 kg (17.6 lb) IPC-7120: 9.0 kg (19.8 lb) | | |

Front View of IPC-5120



Solid disk drive housing & easy-to-maintain fan filter



Shock-resistant drive bay for holding an internal 3.5" HDD



Plug ring-lock securely fastens the power cord

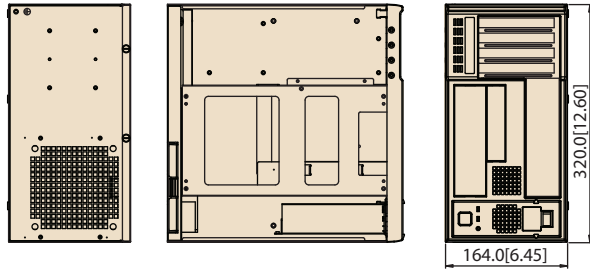


User-friendly mechanical design for installing an add-on card

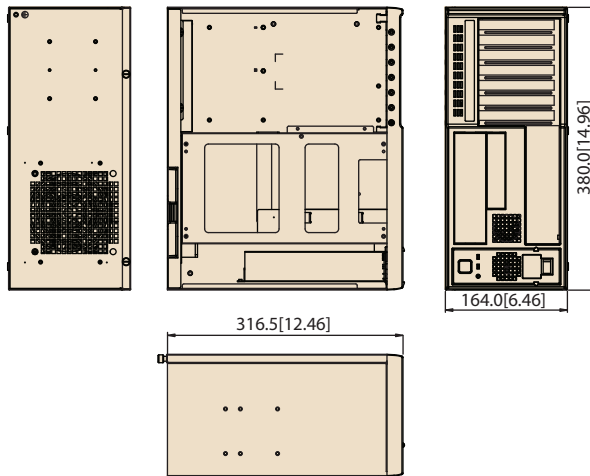
Dimensions

Unit: mm (inch)

IPC-5120



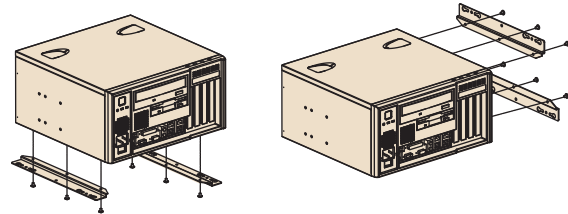
IPC-7120



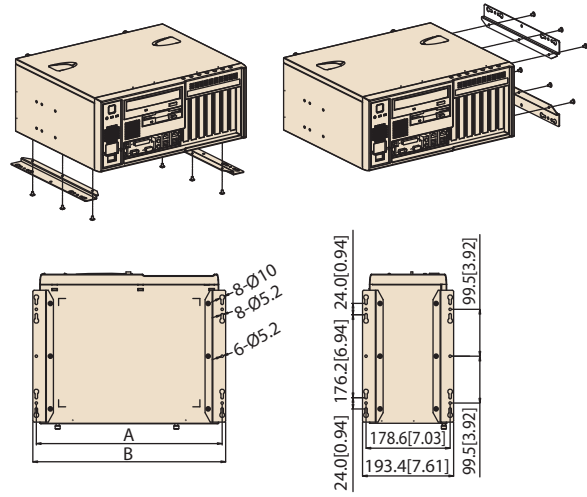
Installation

Unit: mm (inch)

IPC-5120



IPC-7120



| Dimension | | |
|-----------|---------------|---------------|
| | IPC-5120 | IPC-7120 |
| A | 334.6 [13.17] | 334.6 [13.17] |
| B | 350.0 [13.78] | 410.0 [16.14] |

Power Supply Options

| Part Number | Watt | Input | Output | Specifications | | |
|------------------------|-------|-----------------------------|---|--|---------------|---------------------|
| | | | | Mini-load | Safety | MTBF |
| 1757000557 (ATX, PFC) | 250 W | AC 100 ~ 240 V (full-range) | +5 V @ 23 A, +3.3 V @ 14 A, +12 V @ 16 A, -5 V @ 0.2 A, -12 V @ 0.5 A, +5 Vsb @ 2 A | +5 V @ 3 A, +3.3 V @ 1 A, +12 V @ 2 A, -12 V @ 0.1 A, +5 Vsb @ 0.1 A | UL/TUV/CB/CCC | 100,000 hrs @ 25° C |
| 1757000229G (ATX, PFC) | 300 W | AC 100 ~ 240 V (full-range) | +5 V @ 25 A, +3.3 V @ 14 A, +12 V @ 16 A, -5 V @ 0.5 A, -12 V @ 1.0 A, +5 Vsb @ 2 A | +5 V @ 3 A, +3.3 V @ 1.0 A, +12 V @ 2 A, -5 V @ 0.05 A, -12 V @ 0.05 A, +5 Vsb @ 0.1 A | UL/TUV/CB/CCC | 100,000 hrs @ 25° C |

Accessories

| Part Number | Description |
|------------------|-----------------------------------|
| 96CD-52X-I-AS-B3 | Black 5.25" 52X CD-ROM |
| 96DVR-40X-I-AS-B | Black 5.25" 16X/40X/24X DVDRW-ROM |
| 96FDD-144-TE-B1 | Black 3.5" FDD |

Ordering Information

| Part Number | Power Supply | Motherboard | Regulation |
|----------------|--------------|--------------|------------|
| IPC-5120-25ZBE | 1757000557 | Not included | CE |
| IPC-5120-30ZBE | 1757000229G | Not included | CE |
| IPC-7120-25ZBE | 1757000557 | Not included | CE |
| IPC-7120-30ZBE | 1757000229G | Not included | CE |